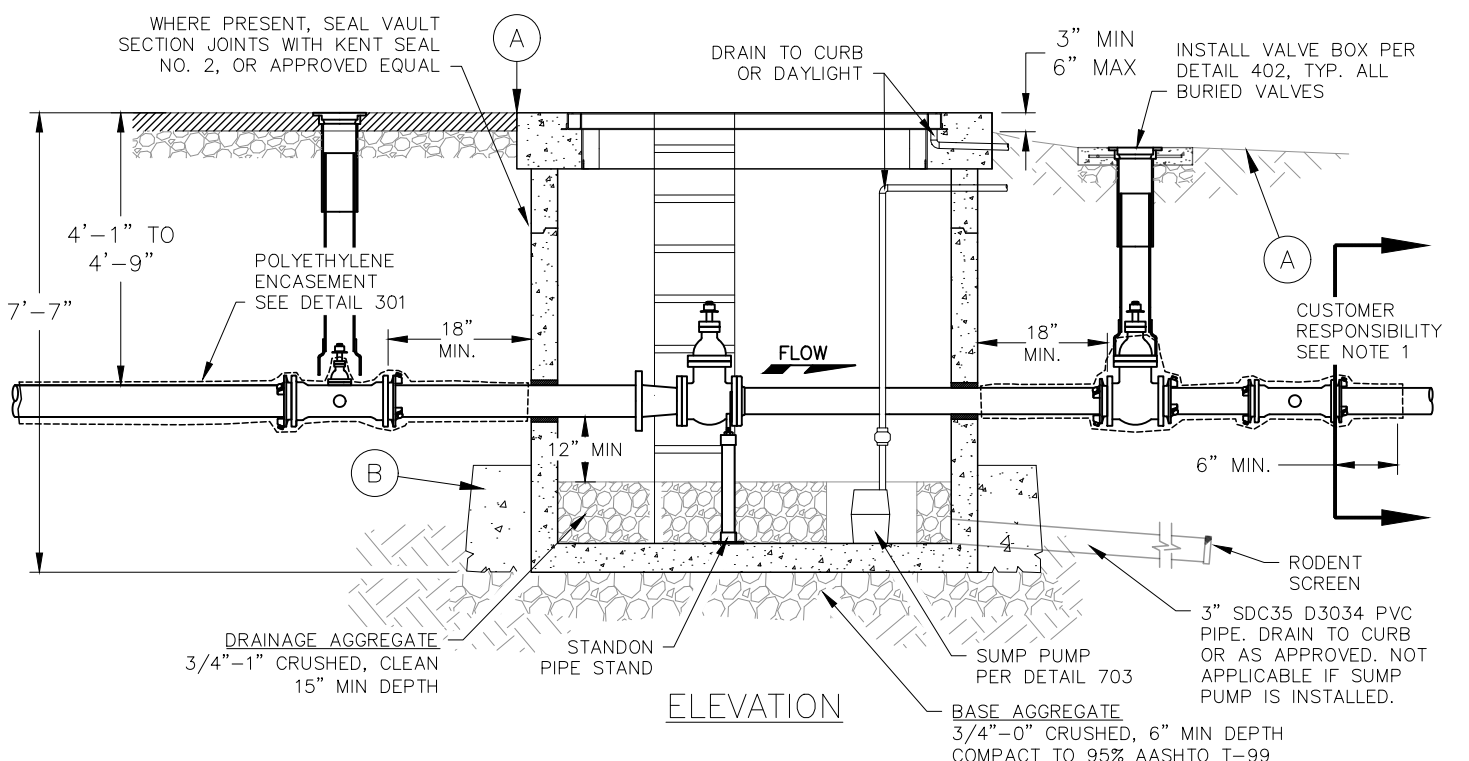


PLAN



ELEVATION

NOTES:

1. CUSTOMER OWNERSHIP AND MAINTENANCE RESPONSIBILITY BEGINS DIRECTLY DOWNSTREAM OF 3" X 2" TEE.
2. CONTRACTOR TO SEAL ALL OPENINGS IN VAULT WITH NON-SHRINK GROUT.
3. ORS 92.044(7) PROHIBITS LOCATING ANY UTILITY INFRASTRUCTURE WITHIN 1-FT. OF A SURVEY MONUMENT. DEVELOPER SHALL PAY FOR ANY RELOCATION OF SERVICES AND/OR METER BOXES FOUND TO FALL WITHIN 1-FT. OF A SURVEY MONUMENT LOCATION.

KEYNOTES:

- A. IN LANDSCAPED AREAS, GRADE SHALL SLOPE AWAY FROM VAULT. IN PAVED AREAS, GRADE SHALL BE FLUSH WITH TOP OF VAULT LID.
- B. CONTRACTOR TO INSTALL 3 CU YD MIN CONCRETE BALLAST AROUND BASE OF VAULT IN AREAS WHERE FLOODING OR HIGH GROUND WATER EXISTS.

N:\Standards\2024\Details\DWG\606_3-inch Meter Installation.dwg, 6/13/2024 10:52:48 AM



TUALATIN VALLEY
WATER DISTRICT

APPROVED BY
PETER BOONE

DRAWING SCALE
NONE

3" METER INSTALLATION

EFF. DATE 07/01/24

STANDARD DETAIL
606