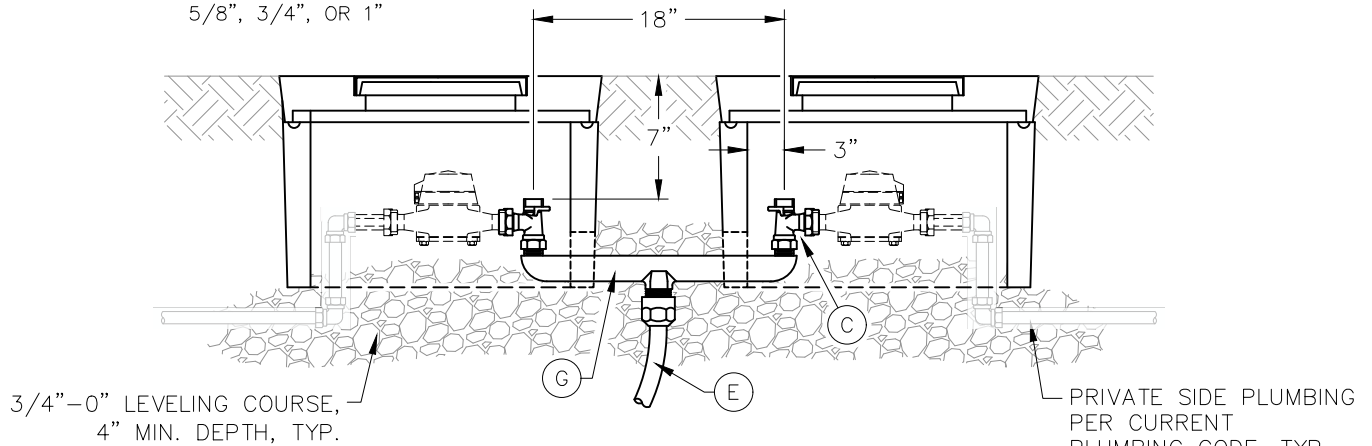


DUAL (U-BRANCH) SERVICE
5/8", 3/4", OR 1"



GENERAL NOTES:

1. REFER TO DETAIL 605B FOR ALLOWABLE METER BOX MANUFACTURERS.
2. THIS DETAIL SHALL BE USED IN CONJUNCTION WITH DETAILS 601 THROUGH 605B. REFER TO DETAIL 601 FOR ALLOWABLE HARDWARE.
3. DISTRICT SHALL INSTALL ALL METERS AFTER PROJECT ACCEPTANCE AND APPLICABLE FEES ARE PAID.
4. METER BOXES SHALL BE SET PLUMB, WITH THE TOP SET HORIZONTALLY.
5. COMMERCIAL PROPERTIES SERVED BY A 1" METER MUST BE SERVED BY A SINGLE SERVICE.

KEYNOTES:

- A. METER BOX, TYP.
- B. SINGLE SERVICE ANGLE METER STOP, COMP x METER SWIVEL
- C. DUAL SERVICE ANGLE METER STOP, FIPT x METER SWIVEL
- D. 1.5" OR 2" METER RESETTER
- E. 1" TYPE K SOFT COPPER TUBING. 12" MIN. BENDING RADIUS.
- F. 1.5" OR 2" TYPE K SOFT COPPER TUBING.
- G. U-BRANCH, 1" COMP x 1" MIPT.
- H. COPPER COMPRESSION OR SWEAT 90° BEND.



**TUALATIN VALLEY
WATER DISTRICT**

APPROVED BY
PETER BOONE

DRAWING SCALE
NONE

WATER SERVICE CONNECTION:
METER BOX ASSEMBLY

EFF. DATE 07/01/24

STANDARD DETAIL

605A