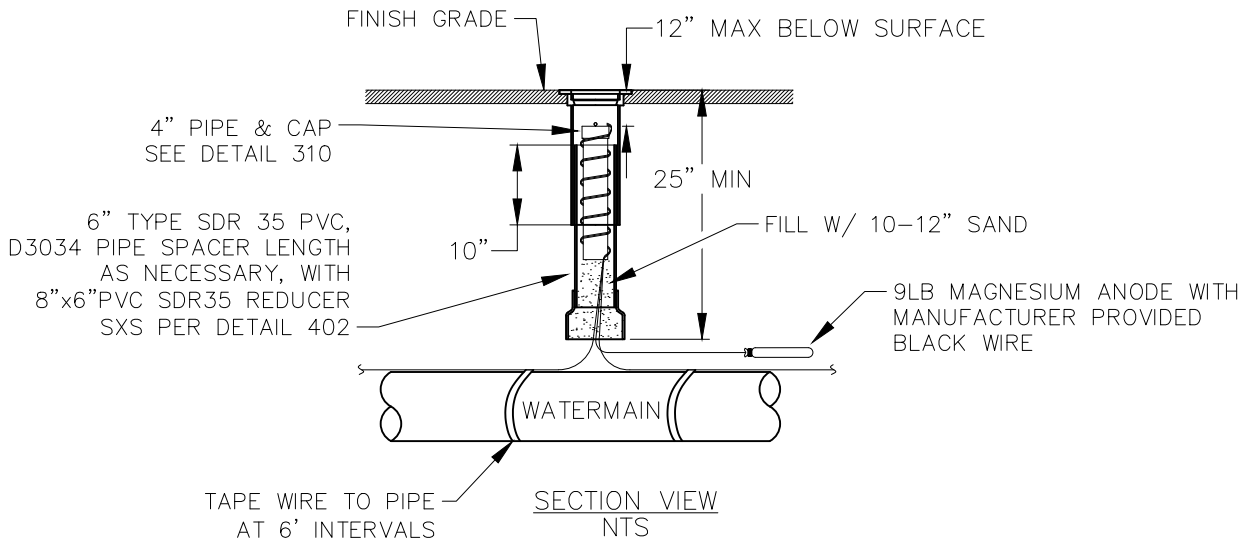
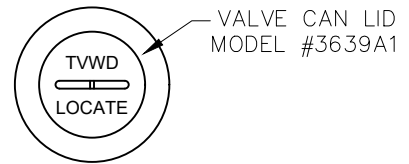


PLAN VIEW
NTS



NOTES:

1. TRACING WIRE TO BE SINGLE CONTINUOUS LENGTH OF WIRE BETWEEN LOCATE STATIONS. IF SPLICE IS NEEDED, TVWD APPROVAL IS REQUIRED.
2. PROVIDE CONCRETE PAD AROUND VALVE BOX IF LOCATED OUTSIDE OF PAVED AREAS PER STANDARD DETAIL 402.
3. CONDUIT SWEEPS ARE NOT PERMITTED AT VALVE CANS.
4. INSTALLATION OF CONDUIT UNDER CURB AND SIDEWALK SHALL UTILIZE TRENCHLESS METHOD(S).
5. INSTALL ON MAINS DEEPER THAN 5 FEET REGARDLESS OF SIZE. TRACER WIRES SHALL NOT BE INSTALLED DEEPER THAN 8 FEET, FOR PIPES DEEPER THAN 8 FEET INSTALL TRACER WIRE ABOVE PIPE AT 8 FEET DEPTH.
6. SEE STANDARD DETAIL 310 FOR ADDITIONAL WIRE DETAIL.

N:\Standards\2024\Details\DWG\309_Locate Station.dwg, 6/13/2024 10:46:13 AM



**TUALATIN VALLEY
WATER DISTRICT**

APPROVED BY
PETER BOONE

DRAWING SCALE
NONE

LOCATE STATION

EFF. DATE 07/01/24

STANDARD DETAIL

309